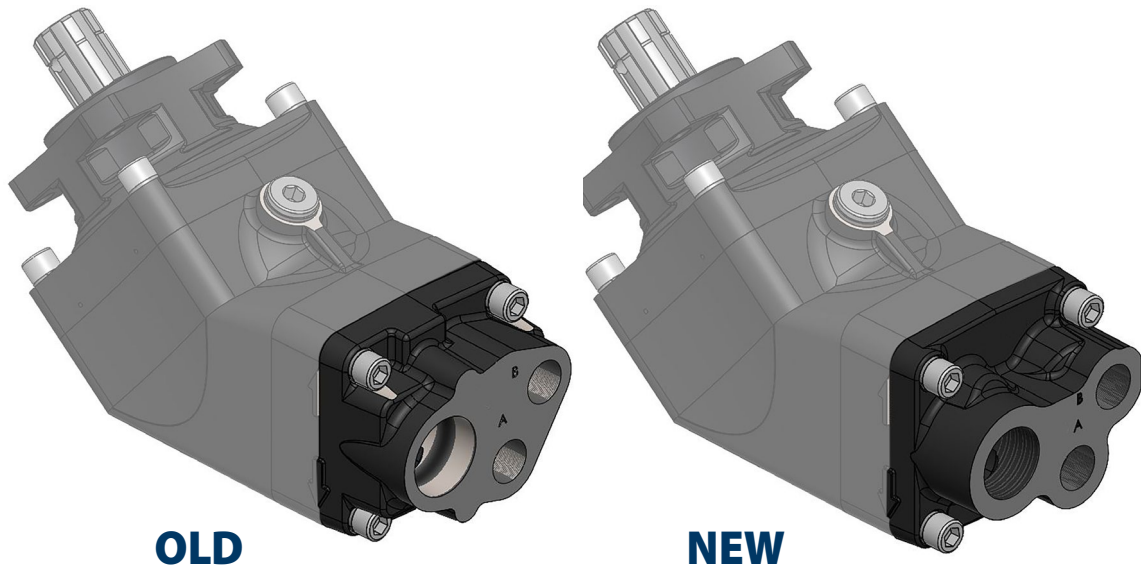


TWIN-FLOW

We are pleased to inform you that our range of Twin-Flow pumps has been expanded with the new displacement of 53+35 cc. At the same time a change was introduced on all displacements on rear cover which is now lighter, reducing the mass moment by about 8%.



Pump type	Rotation	Order code	IN ISO 228	OUT ISO 228	Weight Kg
TWIN FLOW 53+35	Right	60400115033	G 1 1/4"	G 3/4"	19,5
	Left	60400115039			
TWIN FLOW 53+53	Right	60400115053	G 1 1/4"		20
	Left	60400115059			
TWIN FLOW 70+35	Right	60400117033	G 1 1/4"		20,5
	Left	60400117039			
TWIN FLOW 70+53	Right	60400117053	G 1 1/2"	21	
	Left	60400117059			
TWIN FLOW 76+76	Right	60400117673	Ø58	24,5	
	Left	60400117679			



Link:
[data sheet](#)

Our sales department is available for any further information.